

STAINLESS STEEL SINK

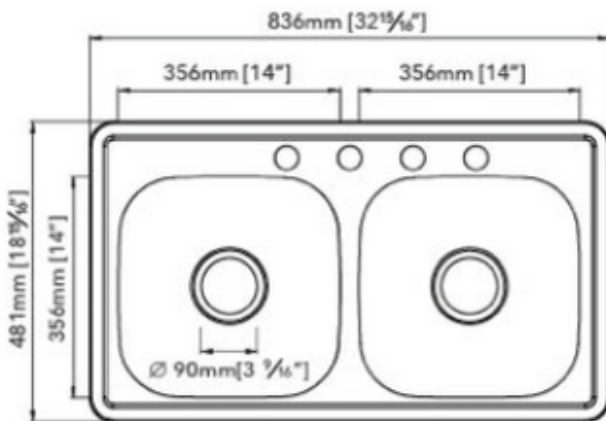
SPECIAL ORDER

MODEL: SS-116-20-3319A0

DEPTH	GAUGE	HOLES
6"	24/22	3/4
7"	22/20	3/4
8"	22/20	3/4



- Top-mount Double Bowl Sink 50/50
- Dimensions: 32-15/16"x18-15/16"
- Material: SS304
- Finish: Brushed



Undercoated and Sound Pads

3-1/2" Drain Opening

Supplied with Fasteners



cUPC Certified



Disclaimer: Nerval makes every effort to provide accurate specification data. However, specification may change without notice. Please visit nerval website to see Nerval's terms and conditions.